



Training door SP4 & SP4 R

Training door for forcible entry tools

Designed for training in the handling of "Paratech" forcible entry tools (Pryaxe, Hooligan Tools...).

They can be used to:

- Simulate forced entries:
 - by pushing
 - by pulling
- Modulate the resistance to closing.
- Simulate from 1 to 4 locking points.
- Acquire the right moves.

Very easy to use:

- Installation of wooden cleats (25x25 mm) at the closing points (4 points possible)
- Door is forced when cleats break by using a forcible entry tool.



- The **working zones** are reinforced by thick steel plates.
- **2 models:** "without wheel" or "with wheels" to facilitate positioning
- Use by **Push** and **Pull**
- **Non-slip floor plate**
- **Enough space for two people working together**
- Can be used to learn about door penetration using a fire nozzle



LEADER
Tomorrow's technology today

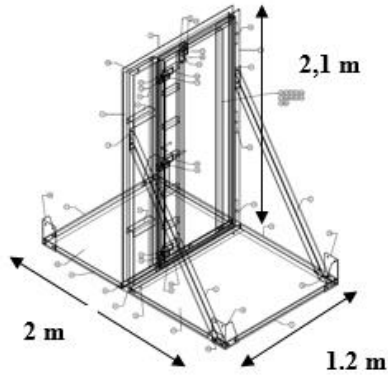
References:

SP4-R door (with 4 wheels)	P22-210-120-GPR
SP4 door (without wheel)	P22-210-120-GP
Frame wearing part (sold by 3)	P22-210-120-M
Door wearing part (sold by 3)	P22-210-120-P

Characteristics:

Weight: 330kg

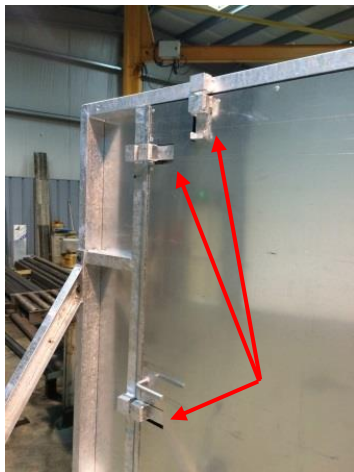
Dimensions:



Removable part on the vertical frame of the door



Removable part on the panel of the door



Locking points for wooden cleats to simulate resistance (section 25x25 mm)



4 wheels for easy positioning



ZF.04.267.EN.2

As it is our policy to constantly seek to improve our products, we reserve the right to change the specification of our equipment without notice.